

EGYPTIAN SUGAR & INTEGRATED INDUSTRIES COMPANY



Fax 00202 23934558-0223920509
Web. Site: www.siicegypt.com

Tel. 0020 23929077&138
E-mail: purchasing@siicegypt.com

Egypt 12 Gawad Hosni St. down town Cairo , Egypt/

CAIRO, 3.12.2024

- Subject: - Tender No. 5000/3616 (two envelopes)
- Due date 22.12.2024 at 10 O'clock Cairo local time.
- SPARE PARTS FOR ELLIOTT MILL TURBINES 1250 KW OF TYPE
DYRPGD III SERIAL NO. F102307
- PRICE OF TENDER DOCUMENTS SET L.E. 347.-

Dear Sirs,

We shall be much obliged to receive on or before a/m due date your two envelopes as follows:-FIRSTLY: ENVELOPE (A) :- including:-

1-Technical offer, one original plus two copies, for the supply of:

- SPARE PARTS FOR ELLIOTT MILL TURBINES 1250 KW OF TYPE
DYRPGD III SERIAL NO. F102307

Complete technical specification as per attached Annexed list.

Technical offer should state & include the following:

1-1) detailed specifications and pre-qualification's documents in the same field (especially ESIIC sugar's company).

1-2) Complete catalogues, pamphlets in English Languages including relevant technical specifications.

1-3) Country of origin:

1-4) Port of shipment Name, taking into your consideration that (REJKA seaport or CONSTANZA seaport not accepted from our side in case contracted FOB seaport).

1-5) Terms of payment: will be through LC covering the total value of goods and payable as follows:

* 80% against shipping documents.

* 20% retention money to be paid against the original of report of successful using at site.

1-6) the shortest delivery time will be considered.

1-7) Full name, address, e-mail, Tel & Fax No. of your Egyptian agent (if any), they must submit the following documents:-

Register on commercial Archives.

Register on tax Archives.

Register on Added tax Archives.

The 2 % Bid Bond:

2/1) in form bank guarantee to be issued and confirmed in the same currency of your offer. (In case the equivalent of Egyptian pound, to be increased by 20 %).

OR

2/2) in cash at the same currency of your offer (in case the equivalent of Egyptian pound increased 20 %).

-The original 2 % unconditional Bid Bond bank guarantee to be presented in a separate envelope (C) but its copy (after deleting the amount) to be attached with your offer envelope (A).

The 2 % Bid Bond unconditional bank guarantee to be confirmed from first class bank in Egypt and extended by you without an application from us.

SECONDLY ENVELOPE (B):- Including:

Your priced offer which should state the following:-

1- Itemized unit and total price on:

* FOB your port of shipment. (FOB REJKA or CONSTANZA seaport not accepted from our side).

* C&F basis ALEX. /Egypt.

*Your price must include the costs of fumigation and stamping the wooden package according to the international standard if wooden packages will be used.

2- Gross/net weight and volume also the kind of package which will be used and if shipment will be effected in container or not.

3- Shortest delivery time.

4- Prices validity to be 4 months minimum.

5- Payment will be effected through (confirmed or unconfirmed as your option), irrevocable LC covering the total value of the goods and payable as follows:-

5/1- 80 % of the good's price against the following shipment documents:-

a) 2 originals (& 2 copies) of signed invoice illustrated as per order.

b) 5 sets of weight & packing list.

c) Complete set of clean B/L plus 3 nonnegotiable copies made to the order of LC opener bank and notify E.S.I.I.C.

d) Original & 3 copies of certificate of origin.

e) One original plus two copies of Euro 1 certificate.

(f) Original and three copies of test work certificate in triplicate issued by the manufacturer.

(g) - For goods of EU origin:

In case origin of the goods is a country not the country of shipment, i.e. shipment effected through a port of a country of the origin,

< CERTIFICATE ON DIRECT CONSIGNMENT >

To be presented with shipping documents. Such certificate to be issued, signed and stamped by the authorized competent.

h) Supplier's written evidence confirming that copy of: B/L, commercial invoice, packing list and original of Euro 1 certificate have been sent to the Buyer's by Courier within 5 days from date of B/L.

5/2- 20% retention money to be paid against the original of report of successful operation at site signed with banking signature by the authorized person on ESIIIC.

SECOND: GENERAL TERMS AND PROCEDURES.

ESIIIC will receive the three envelopes on the due date of the tender.

ESIIIC has the right to open on due date envelope (A) only for study and keep envelope (B) to be opened for the bidders their technical offer accepted and who presented the required bid bond. During period of technical study, ESIIIC will ask some Clarifications and or technical completions. ESIIIC has the right to open envelope (B) at or without Attendance of the bidder's representative.

N.B.:

1) Any bid received after deadline for submission of bids prescribed by ESIIIC as well as any offer submitted not accompanied with 2 % bid bond will be rejected.

2) All costs of preparing and submitting the offers including the costs of the bidders specialists and representative in and outside Egypt to be paid and borne the by bidder.

3) ESIIIC has the right to partly award and/or cancel the tender.

4) The bidder has no right to refer to ESIIIC for any bidding costs in case the tender awarded to another bidder or cancelled.

5) Advance payment not accepted from our side as we can't transfer any Money in advance according to regulation and instructions issued from central Bank of Egypt.

6) In case of order:-

6-1) all bank charges of LC outside ARE including confirmation fees on supplier's account i.e. only bank charges inside ARE on ESIIIC.

6-2) all bank charges of LG in & outside ARE will be on supplier's account.

6-3) Commission of the Egyptian agent will be deducted from the total order value to be paid to the agent through his account in LE by opener bank (i.e. only net value of the order will be transferred to supplier).

6-4) Prices to be firm without any change whatsoever until completing shipment and undertaking all contractual obligations.

6-5) the performance bank guarantee, amounting 10% of the total value of the order and valid for 18 months from date of successful taking over test, to be presented within 15 days of opening the relative LC.

6-6) Short supply: In case of any short supplied items or found defective, your company will replace them at the site (E.S.I.I.C) CIF basis free of charge duly packed in suitable packing without any delay.

6-7) in case shipment inside containers the demurrage period not less than 30 days at port of discharge to avoid any penalties applied.

6-8) If we don't receive any objection from your side regarding the order and its conditions (technical and commercial clarifications) within 7 days max. From date of receiving it company ESIIIC will be considered as an acceptance of order and all its conditions from your side and complete all formalities accordingly.

* An additional points must be taken into your consideration in case of order:-

1) Detailed packing list showing contents of each package in case shipped by container packing list should show No. of package and its serial in each container also contents of each package.

2) 2 sets of original catalogues in English languages, all tech. data and the operation's manual instruction for the required machine.

3) In case shipping inside LCL container.

* Mentioned volume in B/L.

Amount of invoice for the order and its component should be lump sum.

Two copies of beneficiary fax shipping notices sent to the applicant as follows:

7/1) First notice: Within 5 days before loading commencement showing name, age and flag of the vessel, number and volume of package.

7/2) Second notice: Within 2 working days from completing loading, indicating actual packages and weight loaded, departure date, expected date of arrival to discharge port also stating full name and address of the vessel agent at discharge port.

8): - Penalty of delay: -

In case the supplier fails to deliver on due date the deliveries in whole or in part the E.S.I.I.C shall be entitled to inflict a penalty of 1% (one percent) of the total price of the delayed deliveries for every week or part of week. After 5 weeks of delay the E.S.I.I.C has the right to cancel the order and forfeit the LG, also ESIIIC has the right to refer to the contractor by any damage and losses result from his failure of carrying out his contractual obligations.

Awaiting your offer, Dear sirs.

Yours Faithfully

SH

5000/3616

BT 320 - 321 Armant

1. Spare parts for ELLIOTT mill turbines 1250 kw of type DYRPGD III serial no. F102307

S/N	QTY.	SPECIFICATIONS	Part no.
1	1	Complete rotor assembly fig. no. (4-12) complete with:	
		- Shaft	4-12-43
		- 1st disc	4-12-44
		- 2nd disc	4-12-45
		- Key	4-12-46
		- Overspeed trip assembly according to fig (4-8) complete with:	
		1. Trip pin	4-8-1
		2. Trip spring	4-8-2
		3. U lock staple	4-8-3
		4. Adjusting nut	4-8-4
		5. Washer	4-8-5
		6. Auxiliary weight	4-8-6
		7. Plunger Assembly	4-8-7
		8. Jack screw	4-8-8
9. Jam nut	4-8-9		
10. Jam nut	4-8-10		
11. Set screw	4-8-11		
12. Inspection plug	4-8-12		
13. Worm gear (5.1667/1)	6-4-4		
14. Worm wheel (5.1667/1)	6-4-5		

2. Spare parts for ELLIOTT mill turbines 1250 kw of type DYRPGD III serial no. F102307

S/N	QTY.	SPECIFICATIONS	Part no.
1	2	Bearing liner (upper half)	412270-2
2	2	Bearing liner (lower half)	412270-3
3	2	Bearing liner (upper half)	412223-2
4	2	Bearing liner (lower half)	412223-3

- Supply of Items:** The items requested must be supplied complete with all necessary components, including but not limited to bolts, tapered pins, secured washers, and all associated accessories.
- Sample Availability and Shipping:** Should samples be required, they will be available for shipping by 1/5/2025. Please note that the shipping costs for the samples, both from the factory to the supplier's country and the return shipment, will be the responsibility of the supplier and will be conducted via air freight. Samples must be returned to the factory no later than 1/10/2025.
- Supplier Responsibility:** It is the supplier's sole responsibility to ensure the samples remain in good condition until they are returned to the factory. In the event of any damage or loss of the samples, the supplier is required to provide suitable replacements.
- Inspection of Production Processes:** The supplier is obligated to arrange a visit to the manufacturer's facilities in their country for three engineers for six working days, excluding travel days. The supplier will cover all related visit expenses, including round-trip airfare, comprehensive accommodation, local transportation, visa application fees, and any other associated expenses.
- Guarantee Period:** The items supplied will come with a guarantee period of 24 months from the shipping date of the parts.

H. Mostafa
27-10-24



Elliott Company
901 North Fourth Street
Jeannette, PA. 15644-1473
Phone: 724-527-2811
<http://www.elliott-turbo.com/>

**-WARNING-**

Read this entire Instruction and Operation Manual prior to installing, operating, or servicing this equipment. Follow all plant and safety instructions. Failure to comply can cause personal injury and/or damage to property.

Technical Manual

Shop Order / Serial Number F102307

Purchaser: EGYPTIAN SUGAR & INTEGRATED INDUSTRIES CO.
CAIRO, EGYPT

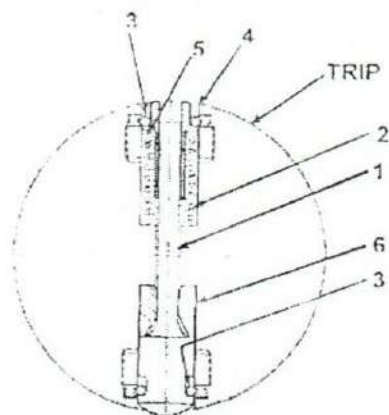
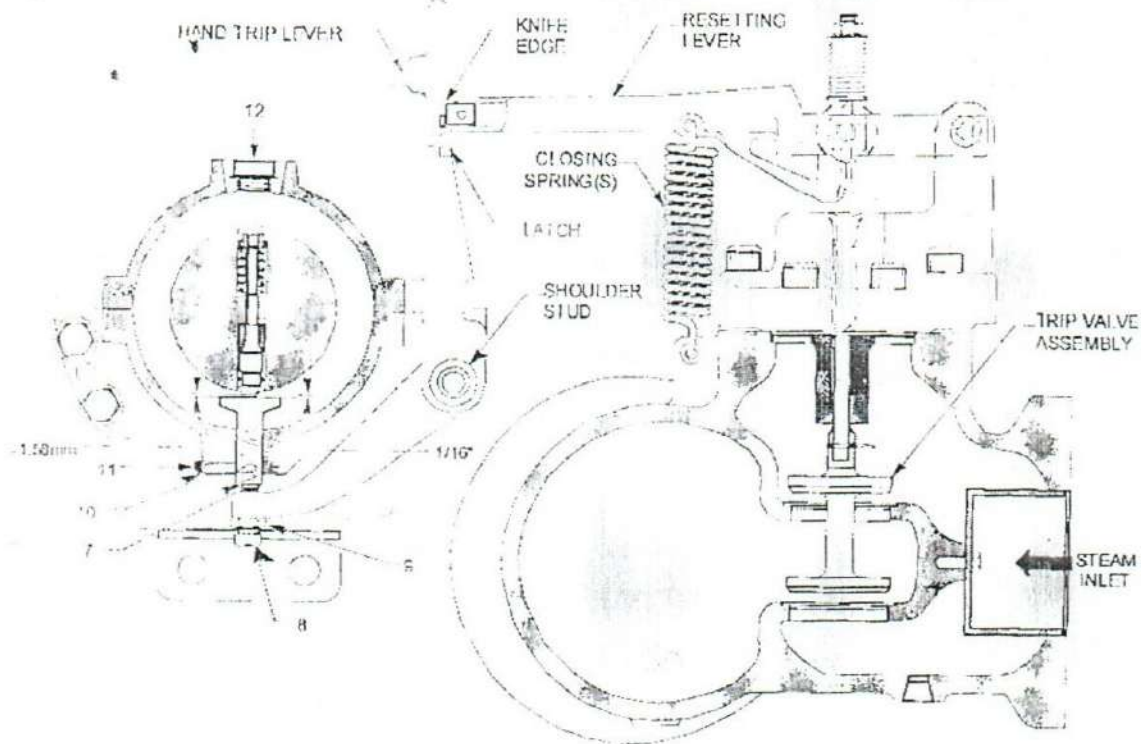
User: EGYPTIAN SUGAR & INTEGRATED INDUSTRIES CO.
ARMANT, EGYPT

Customer Purchase Order Number: 9940
Elliott Company General Order Number: G11003

Equipment	Shop Order / Serial Number	Frame / Model
YR Turbine	F102307	DYRPGD III

Manufactured with pride by Elliott Company. If not completely satisfied with our products or services, call President, Elliott Company, Jeannette, PA, USA.
+1-724-600-8600.

5000/3616



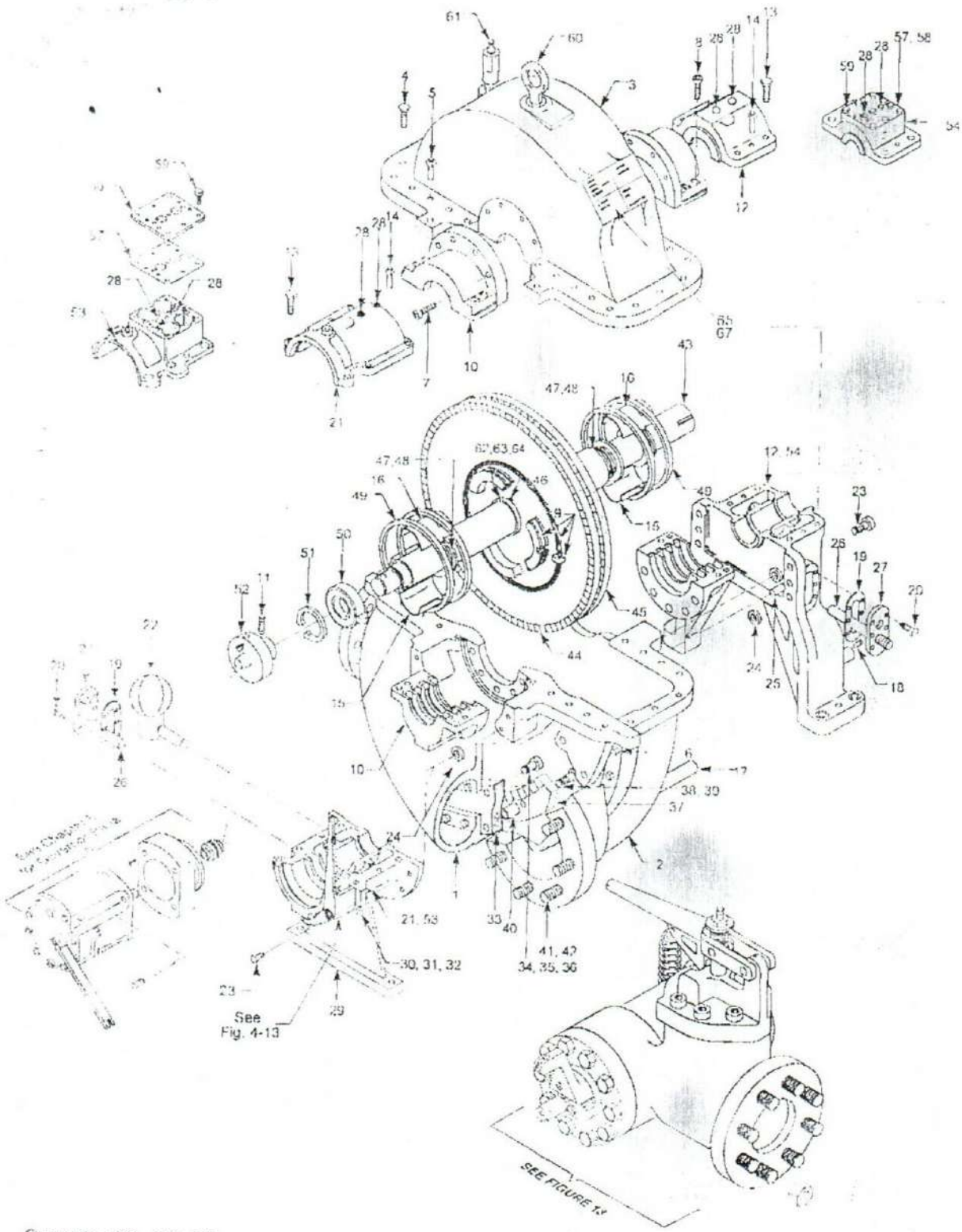
OVERSPEED
TRIP PIN ASSEMBLY

ITEM NUMBER	DESCRIPTION	QUANTITY
4-8-1	TRIP PIN	1
2	TRIP SPRING	1
3	"U" LOCK STAPLE	2
4	ADJUSTING NUT	1
5	WASHER	*
6	AUXILIARY WEIGHT	1*
7	PLUNGER ASSEMBLY	1
8	JACK SCREW	1
9	JAM NUT	1
10	JAM NUT	1
11	SET SCREW	1
12	INSPECTION PLUG	1

* INDICATES PART NOT USED ON ALL TURBINES OR VARIABLE QUANTITIES

© ELLIOTT CO., INC. (YR)

FIGURE 4-8
OVERSPEED TRIP SYSTEM



© ELLIOTT CO., INC (YR)

FIGURE 4-12
TYPICAL YR TURBINE

